



SPECIFICATION SHEET

72" DOUBLE FREESTANDING VANITY CABINET

DMV72DS



VANITY FEATURES

- Designed & Made in Canada
- Premium Select Canadian Maple & Birch Solid Wood and Plywood
- BLUM® European style six-way soft close 110-degree door hinges.
- RICHELIEU® Full Extension concealed soft-close undermount slides.
- Match finished interior cabinet
- Edge-banded drawer with lacquer maple finish
- Handles sold separately and not pre-drilled for design convenience
- 4 Door, 5 Drawer

DM BATH 2-YEAR LIMITED WARRANTY

For warranty details visit www.dmbath.com

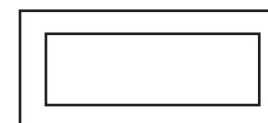
RELATED PRODUCTS Sold Separately

| | |
|--------|----------------------------------|
| DMT73 | 73" Standard Quartz Countertop |
| DMT73P | 73" Premium Quartz Countertop |
| DMB73 | 73" Quartz Backsplash |
| DMB21 | 21 1/4" Quartz Sidesplash |
| DMM24 | 24" Mirror with Solid Wood Frame |
| FK72 | 72" Kickplate Set |
| FS | Filler Strip |

DOOR STYLE OPTIONS



SLAB PANEL (SL)



2" SHAKER PANEL (SH)

WOOD FINISH OPTIONS

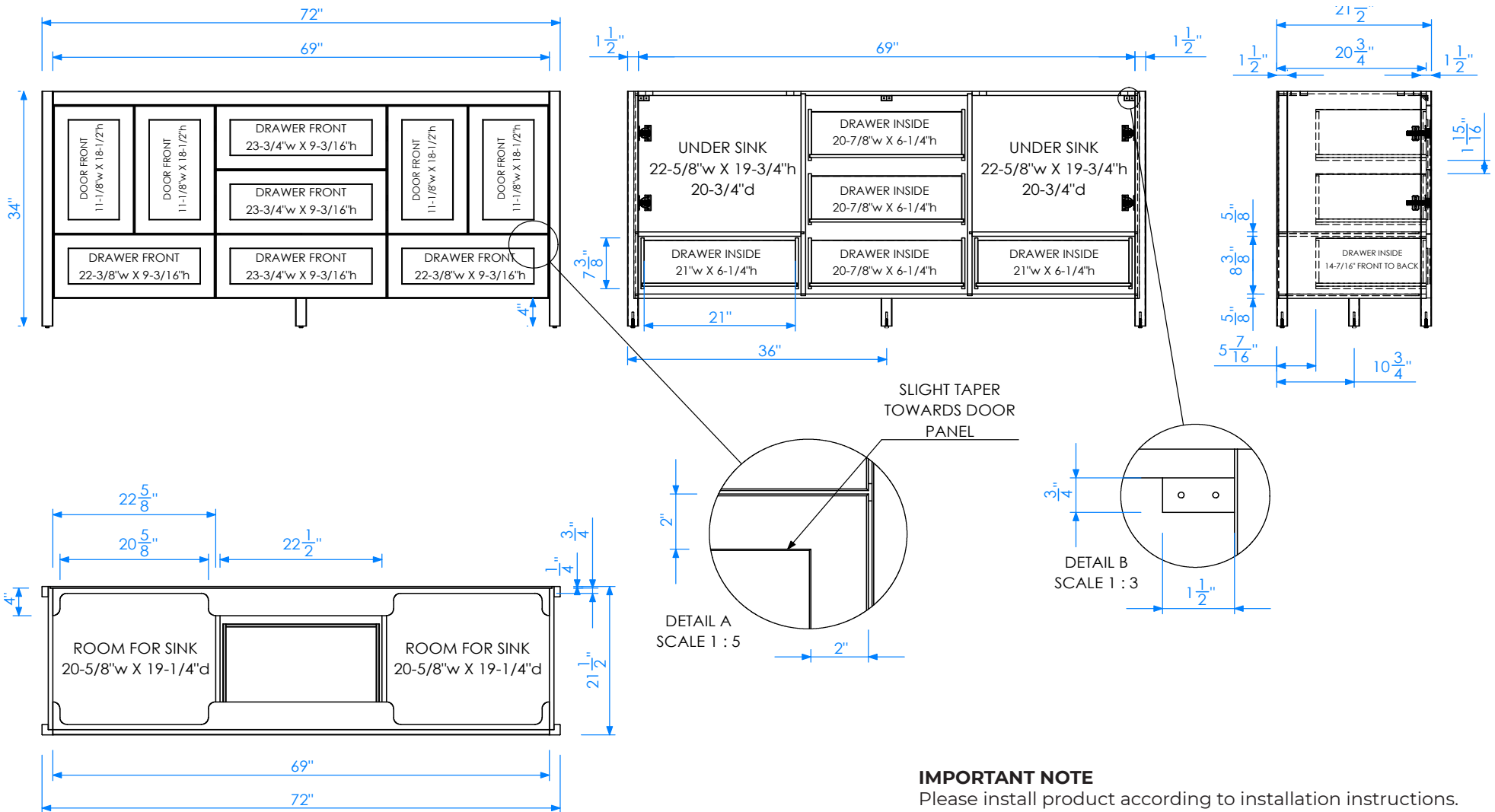
For full colour options visit www.dmbath.com

SPECIFICATION VARIANCE

Our products are constructed to maintain close dimensional tolerances that may vary slightly during the manufacturing of materials; normally +/- 1/8", occasionally more. In most cases, this slight variation does not affect installation, appearance or function. We recommend that you measure the actual cabinet before you frame, design or finish the space for your vanity. We can not be held responsible by the end user if this guideline is not followed. We reserve the right to make revisions without prior notice to product specifications.



SPECIFICATION SHEET
72" DOUBLE FREESTANDING VANITY CABINET
 DMV72DS



IMPORTANT NOTE

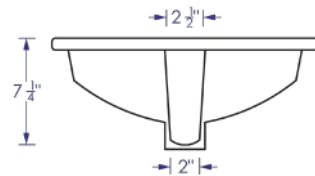
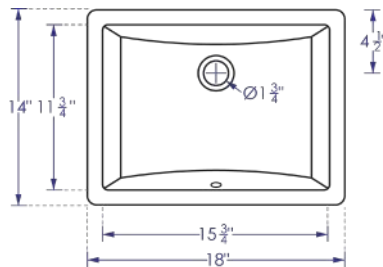
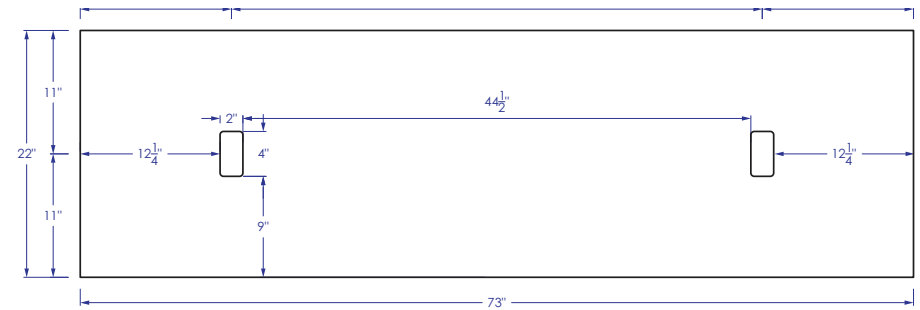
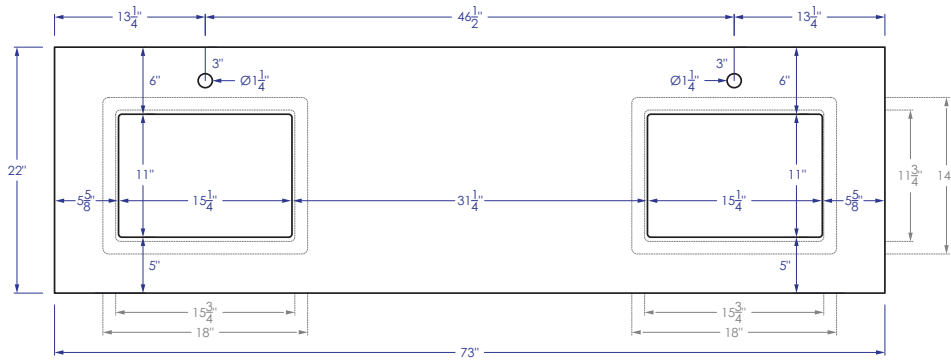
Please install product according to installation instructions.

QUICK SPECIFICATION LOOKUP FREQUENTLY BOUGHT TOGETHER

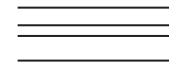
73" QUARTZ COUNTERTOP DMT73 STANDARD / DMT73 PREMIUM

UNDERMOUNT SINK CUT
INCLUDES 18" OXFORD UNDERMOUNT SINK (DMS01W)

VESSEL SINK CUT
NO DRILL HOLE OR VESSEL SINK INCLUDED



SIDE PROFILE VIEW

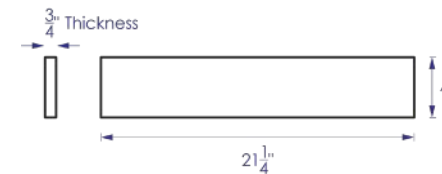


0.75" STANDARD; EASED EDGE PROFILE
1.5" PREMIUM; CHOICE OF EDGE PROFILE
For Premium Edge Profile Options visit www.dmbath.com.

73" QUARTZ BACKSPLASH DMB73



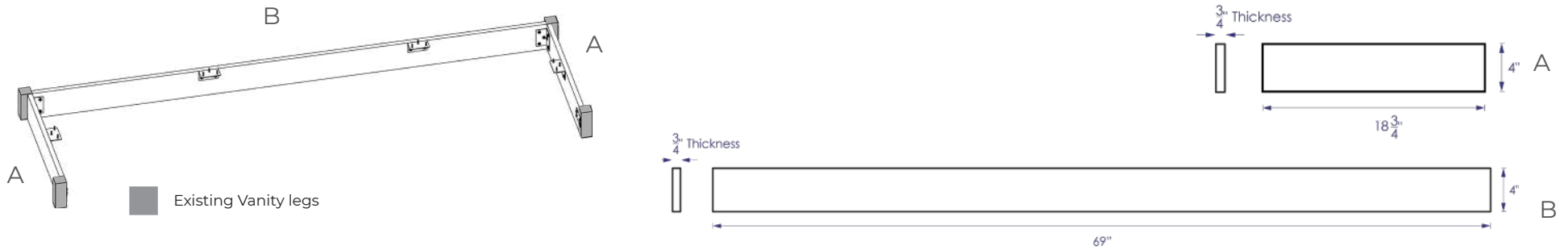
21.25" QUARTZ SIDESPLASH DMB21



QUICK SPECIFICATION LOOKUP FREQUENTLY BOUGHT TOGETHER

72" KICKPLATE SET FK72

Kickplate Set includes one front panel (B) and two side panels (A). Used to fill the gap between the floor and vanity, installed recessed to enable your feet to rest comfortably and allow you to get closer to the countertop.



FILLER STRIP FS

Filler Strip fills the gap between the side of your vanity cabinet and the wall. Fillers are normally cut to your required size by your professional installer.

